



**Product technical sheet**

**MINISWEET 0102**



1 - 8 years



12 kids



18,1 m<sup>2</sup>



**Material specification**

- Stainless steel, hot-dip galvanized and powder coated or powder galvanized and powder coated steel construction of 80 x 80 mm profile,
- Balconies of hot-dip galvanized and powder coated steel,
- Platforms made of durable anti-slip and waterproof plywood or HPL plate,
- Roofs, side panels made of durable HDPE or HPL plate, resistant to weather conditions,
- Educational panels and moving elements made of HDPE or HPL plate, resistant to weather conditions,
- Calibrated stainless steel chains, preventing fingers entrapment,
- Screws covered with plastic caps and/or stainless steel screws,
- Safe end caps on top of the structure made of rubber or polypropylene,



**Facilitating disability**



easy access



integration



**Intellectual development**



manipulation



le sensoriel



thinking



**1**  
number of towers



**1**  
number of roofs



**5**  
number of interactive elements

## Product technical sheet

# MINISWEET 0102

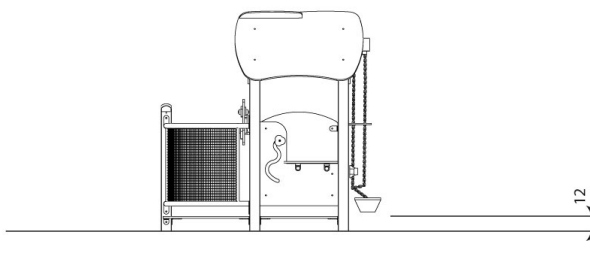
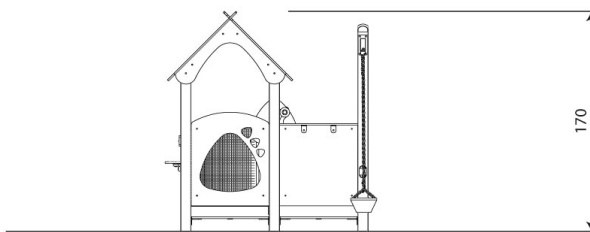
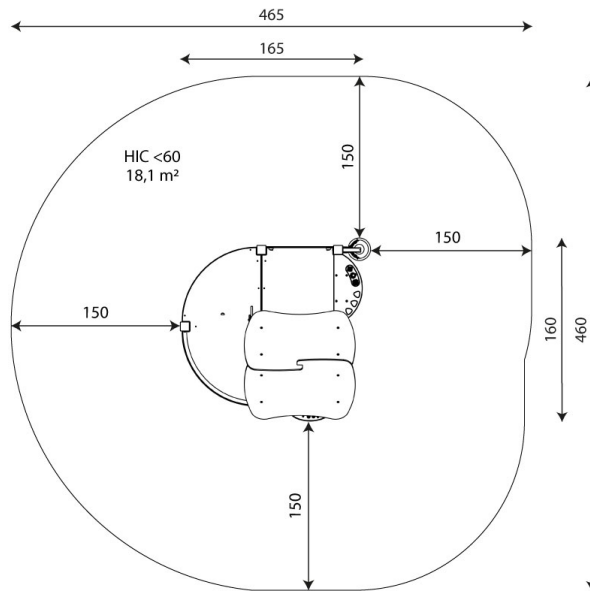
### Product data

Length	165 cm
Width	160 cm
Total height	170 cm
Age group	1 - 8 years
Number of users	12 kids
Safety zone	18,1 m <sup>2</sup>
Free fall height	< 60 cm
The height of the platforms	12 cm
In accordance with norm EN	1176-1:2017
Weight of the heaviest part	28 kg
Dimensions of the largest part	235x15x15 cm
Availability of spare parts	YES
Installation time	3,5 h
Color options	

Data is subject to change without prior notice.

### Additional information

- equipment adapted for the disabled; intended for public playgrounds;
- equipment has a certificate issued by an accredited entity or a declaration of conformity;
- no sharp edges or chinks that would pose a danger of jimmieing the head, fingers or any other body parts;
- anchoring on flat surface, 80/70/60 cm deep;
- render is for reference only, the actual appearance of the equipment and its color may vary;



### Guarantee

**30**

30 year guarantee - Structural strength of steel and stainless steel components

**15**

15 year guarantee - Structural failure of steel and stainless steel, for dynamic equipment

**10**

10 year guarantee - Structural failure of high density polyethylene and high pressure laminates components

**5**

5 year guarantee - Corrosion of stainless steel and hot dip galvanized and powder coated components; against bark beetles and rot in case of wooden structural elements

Detailed information in the guarantee card

# MINISWEET 0102

## Surfaces according to EN 1176-1:2017

	Description (mm)	Layer thickness (cm)	Maximum fall heights (cm)
Turf/ top layer of soil (A,B,C)	-	-	≤100
bark (A,C)	Particle size from 20 to 80	30	≤200
		40	≤300
woodchips (A,C)	Particle size from 5 to 30	30	≤200
		40	≤300
sand or gravel (A,C)	Particle size from 0,25 to 8	30	≤200
		40	≤300
synthetic attested (A,B,C)	Tested according to EN 1177		60

### Amount of safe surface corresponding with free fall height:

HIC <60 18,1 m<sup>2</sup>

Data is subject to change without prior notice.

